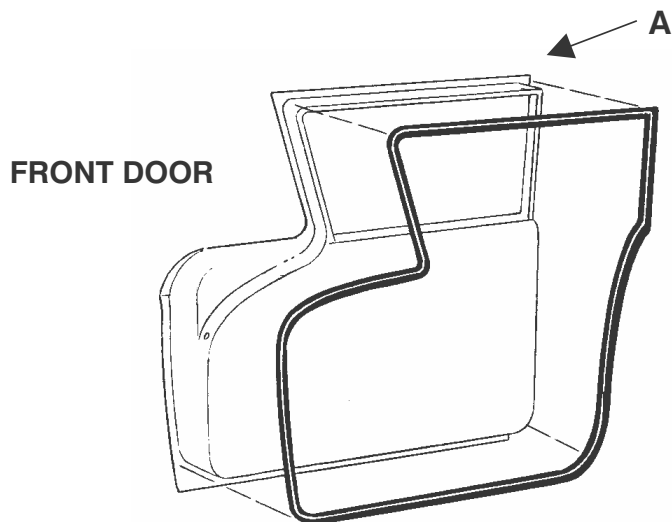


20-1949-72

Installation Instructions • All 1959 Ford 4 Door Sedans



FRONT DOOR

NOTE: Do not apply glue until Step #3

Step #1

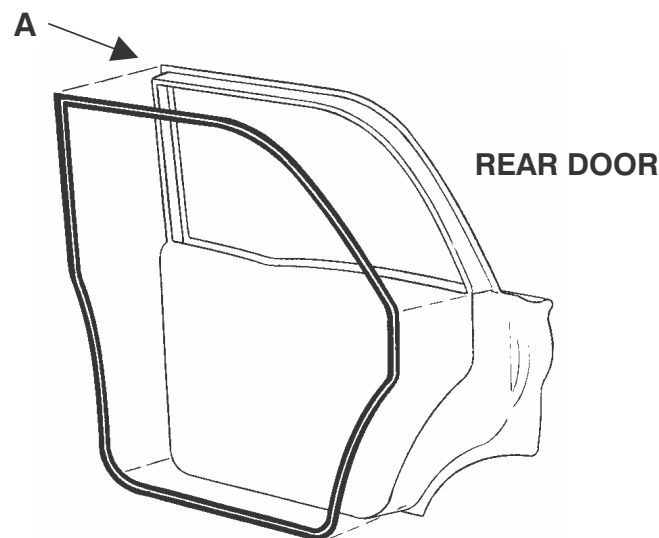
Place the door seal weatherstrip in position on the door as shown, starting at point A. On the door seal at that location will be the numbers B7A-7020572-R, right hand, and B7A-7020573-L, for the left side door.

Step #2

Cut about 20 pieces of masking tape, each approx. 4 inches long, to hold the door seal on the door along the sides and bottom before applying glue.

Step #3

Apply glue as required.



REAR DOOR

NOTE: Do not apply glue until Step #3

Step #1

Place the door seal weatherstrip in position on the door as shown, starting at point A. On the door seal at that location will be the numbers B7A-7020572, right hand, and B7A-7020573, for the left side door.

Step #2

Cut about 20 pieces of masking tape, each approx. 4 inches long, to hold the door seal on the door along the sides and bottom before applying glue.

Step #3

Apply glue as required.